



## Gas Furnaces with Enhanced Blower Motors



## Right for You

How can we say that Payne knows what's right for you? The answer is experience. D.W. Payne and sons started making the right products for their west coast customers back in 1914. Since that time, we've expanded nationwide with a brand that provides attractive, affordable products that work. These same principles apply to our gas furnaces. Because this solid lineup of comfort equipment carries the Payne name, you can be sure it's the right product at the right price.

## Warm Up with Payne

During harsh, winter conditions, it's great to know you can warm up your home with a reliable, efficient Payne® furnace. But did you know your choice of furnaces can affect indoor cooling performance as well? It can. That's why Payne is excited to offer a family of furnaces with an enhanced blower motor.

This component allows these furnaces to help selected Payne air conditioners achieve added energy efficiency by up to 1.5 SEER.\* Like miles-per-gallon ratings for a car, SEER ratings allow consumers to compare efficiency

of air conditioners—the higher the number, the better the efficiency.

So even though you have heating on your mind, don't forget that you can enjoy the total package of efficient, reliable Payne comfort all year long.

The two-stage model PG9MXA offers our highest heating efficiency, up to an impressive 92% AFUE (Annual Fuel Utilization Efficiency). This model enhances your comfort by drawing fresh outdoor combustion air into your home for diminished drafts and quieter operation. The two-stage function allows the furnace to operate on low-stage heating most of the time to quietly, efficiently and consistently maintain the temperature setting. As conditions change, the furnace automatically switches to high-stage heating for additional comfort.

The PG8MEA and PG8JEA (low NOx) deliver soothing comfort that's easy on the budget.

These 80% AFUE furnaces save money on operation compared to older, less efficient models while delivering years of reliable performance backed by Payne. All of these high-performing options can reduce monthly operating costs during the cooling season to provide lasting value season after season. And, when you choose Payne, you can expect comfort and savings to continue for years because our products are designed, built and tested for long lasting operation.

*\*As compared to the Air-Conditioning, Heating and Refrigeration Institute's standard coil-only rating when paired with selected Payne evaporator coils.*

# PAYNE



As an ENERGY STAR® Partner, Payne Heating & Cooling Systems has determined that this product meets the ENERGY STAR® guidelines for energy efficiency.

Model PG9MXA only



**Model  
PG9MXA**



**Models  
PG8MEA / PG8JEA (Low NOx)**

# WNE

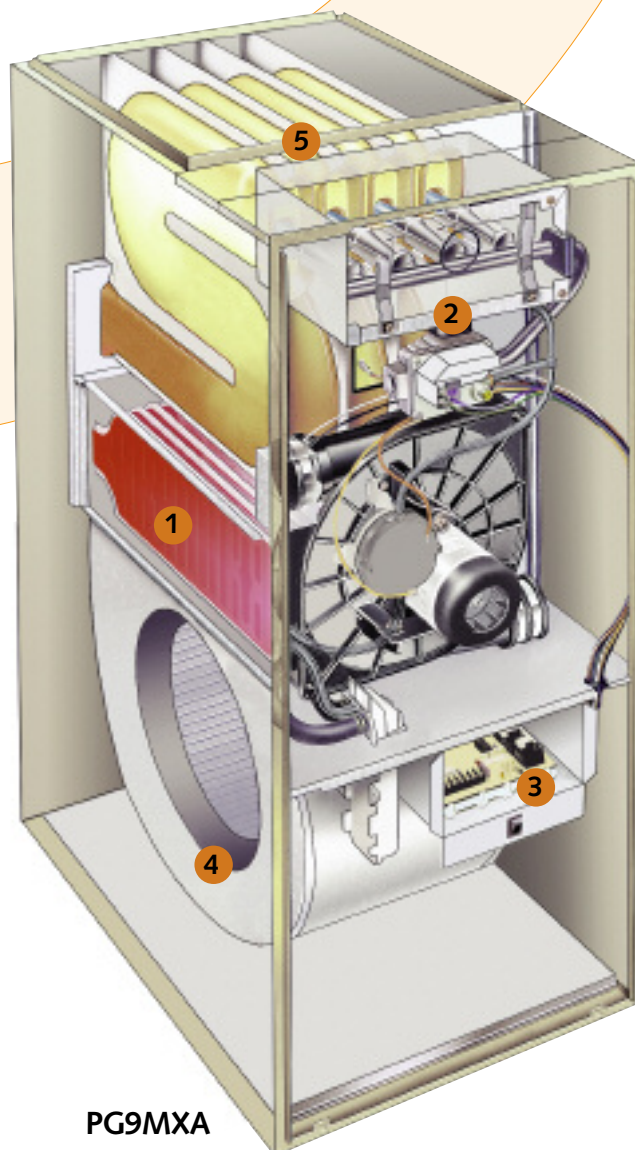
## Payne is the Right Choice

Payne offers the right products at the right price, offering dependable, comfortable and efficient comfort season after season. So make the decision easy on yourself—choose Payne. When you do, you're choosing a long-standing history of indoor comfort products that are just right for you.

## Our Warranty

All Payne furnaces are covered with a ten-year parts limited warranty. Warranty applies to original owner of properly registered product.\* Visit [payne.com](http://payne.com) for details. The heat exchangers are protected by a twenty-year limited parts warranty.

\*Warranty period is 5 years if not registered within 90 days. Products sold in California and Quebec automatically receive a 10-year warranty.



PG9MXA

## What You Get With Payne

### 1 Extra Gas Efficiency

Our secondary heat exchanger extends heat transfer for higher efficiency use of heating fuel. It is protected by our patented coating for lasting corrosion resistance and durability. Backed by a lifetime parts limited warranty and a 20-year labor warranty.

### 2 Reliability

Hot surface igniter is reliable so you can count on heating when you need it.

### 3 Responsive Operation

Our advanced electronic control reliably and responsively activates system operation.

### 4 Energy-Saving Operation

The electronically controlled, ECM blower provides airflow optimized for your home's needs. The blower motor offers higher efficiency performance than most standard, PSC-type motors.

### 5 Quiet, Draft-Free Comfort

Our sealed combustion system virtually eliminates drafts and allows quiet operation by using outdoor air for combustion.

## Your Total Comfort Connection with Payne.



**Air Conditioner and Gas Furnace System**

An energy-efficient Payne® furnace provides welcome warmth during winter's blustery chill. Add a Payne central air conditioner and properly matched evaporator coil and you can count on cool, soothing relief from summer's heat as well. It's a total system solution for indoor comfort you can count on all year long. And with the PG8MEA, PG8JEA, or PG9MXA, you can enjoy additional cooling efficiency during the cooling season.

## Install Now, Pay Later with Payne Financing

If you're like many people, your need for comfort doesn't always match your immediate ability to pay for it. So Payne makes your life easier with 6 or 12 months of deferred interest, minimum monthly payment financing. If you pay it off within the promotional period, you pay no interest. Or, spread your payments over time with a reasonable finance charge. Either way, you can enjoy comfort now, when you need it. Credit provided by GE Money. For more details or to apply for Payne financing to receive pre-approval, go to [www.Payne.com](http://www.Payne.com).



**HEATING & COOLING  
RIGHT FOR YOU.**

Visit our website at [www.payne.com](http://www.payne.com)

01-8110-919-25  
© 2010 Payne Heating and Cooling Systems  
P.O. Box 70  
Indianapolis, IN 46206

This Box is to be used as a knock-out for a non-varnished area on a full-spread, full-bleed varnish plate.

Before purchasing this appliance, please read the important energy cost and efficiency information available from your dealer. Manufacturer reserves the right to discontinue, or change, at any time, specifications or designs without notice and without incurring obligations.

